

*SEE PRODUCT BROCHURE FOR COVER DIMENSIONS AND AVAILABILITY

[5.2]
TRUE R0.20

[20.6]
0.81

[47.6]
1.87

OPTIONAL AUXILIARY SWITCH

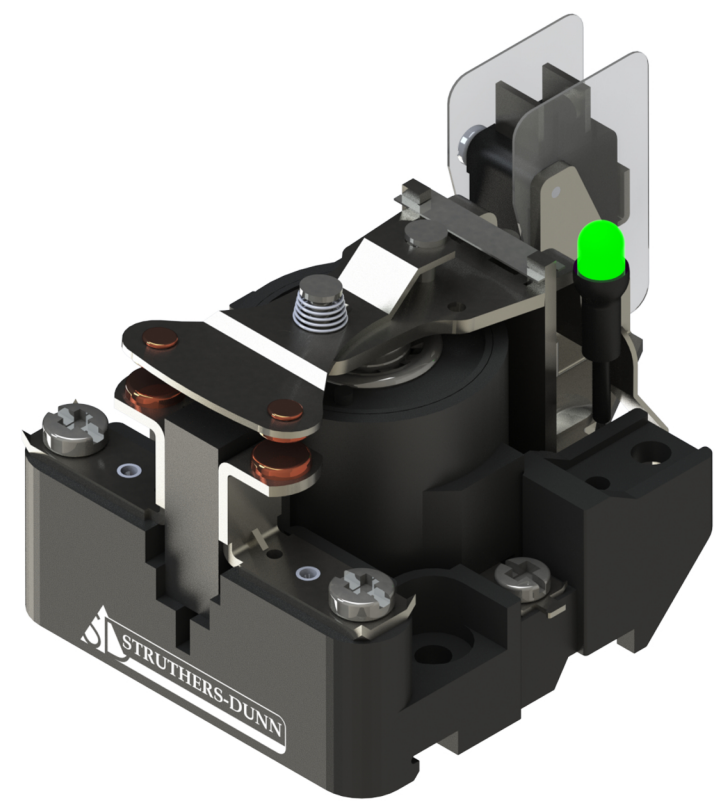
[2.4]
TRUE R0.09

OPTIONAL LED INDICATOR

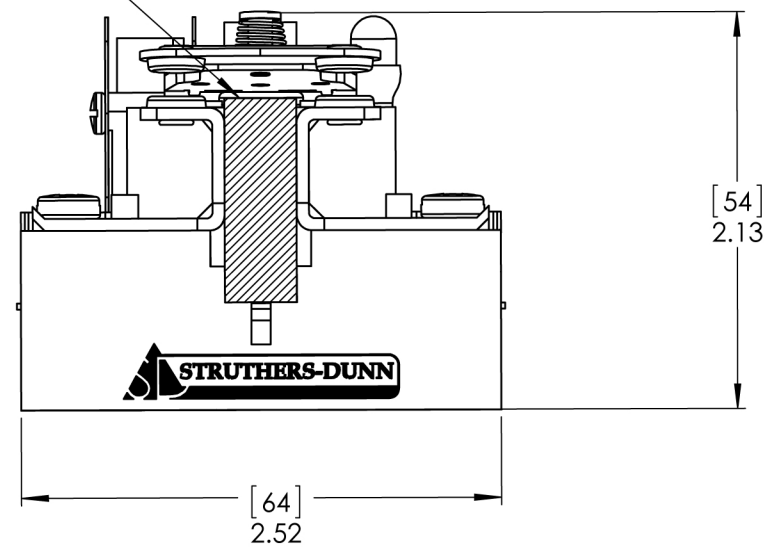
[20.6]
0.81

[63.3]
2.49

[93]
3.66



OPTIONAL PERMANENT BLOWOUT MAGNET



[54]
2.13

[64]
2.52