

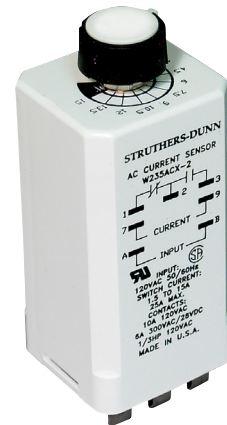
235 Series - Adjustable Current Sensor SPDT, 10 Amp



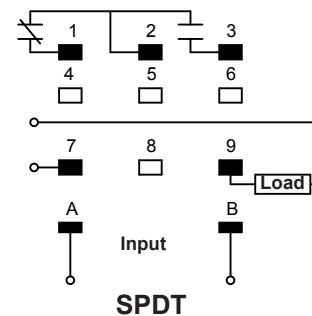
The 235 series current sensor combines solid state circuitry with a SPDT, 10 A relay. Knob adjustable user settings detect AC current levels generally ranging from 1.5 to 15 amps. Quick connect terminals are standard with socket or side mounting. Custom ranges and voltages are available.

GENERAL SPECIFICATIONS (@ 25° C)

Sensing:	
Current Sense Range	1.5 to 15 Amp
Repeatability (Constant voltage and temperature)	2%
Reset Time maximum	150mS
Contacts:	
Contact Configuration	SPDT
Contact Material	Silver Alloy
Contact Rating	
250VAC Resistive	10 Amp
30VDC Resistive	10 Amp
Minimum Contct Load	500mW
Contact Resistance, Initial	100 milliohms max @ 6VDC
Coil:	
Coils Available	AC
Power Consumption	2VA
Input Voltage Tolerance - AC	85% to 110% of nominal
Transient Protection	Yes
Reverse Polarity Protection	N/A
Duty	Continuous
Dielectric Strength:	
Across Open Contacts	500Vrms
Between Mutally Insulated Points	1500Vrms
Insulation Resistance	1,000 Mohms min @ 500VDC
Temperature:	
Operating	-20 to 55°C (-4 to 131°F)
Storage	-40 to 85°C (-40 to 185°F)
Life Expectancy:	
Electrical (full load operations)	100,000
Mechanical (no load operations)	5,000,000
Miscellaneous:	
Mounting Position	Any
Mating Socket	SK-SQB11-DS
Enclosure	Opaque Polycarbonate
Weight	4.4oz (125 grams)



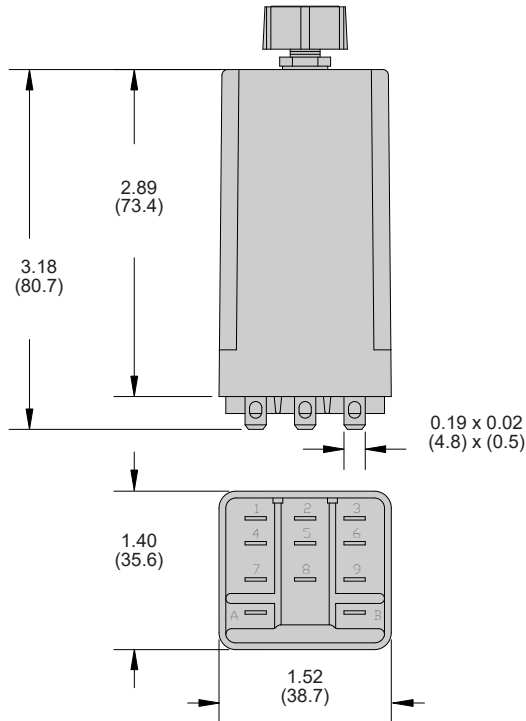
235 Wire Diagram



Timer / Sensor - Current Sensing Relay 10 Amp

Outline Dimensions

Dimensions Shown in inches & (millimeters)



235 Part Number Chart

Part Number	Nominal input voltage	Current range	Terminal size	Socket mountable
W235ACX-2-B	120VAC	1.5 to 15 Amps	.250 (6.3)	No
W235ACX-3-B	120VAC	1.5 to 15 Amps	.187 (4.7)	Yes
W235ACX-11-B	120VAC	0.5 to 5 Amps	.187 (4.7)	Yes
W235ACX-12-B	24VAC	1.5 to 15Amps	.187 (4.7)	Yes
W235ACX-17-B	240VAC	1.5 to 15Amps	.187 (4.7)	Yes
W235ACX-19-B	120VAC	1.5 to 15Amps	.250 (6.3)	No

Terminal size in inches & (millimeters)

2520